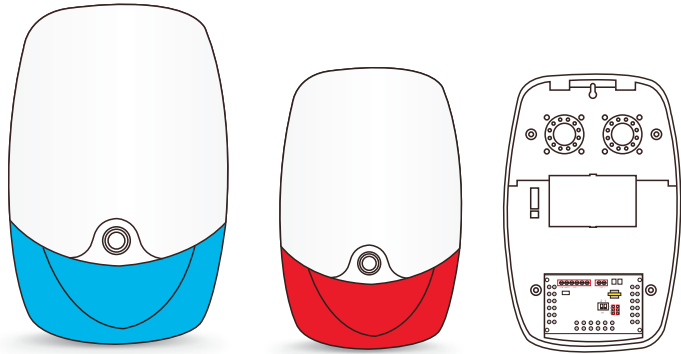


Wireless Outdoor Siren with Sound Choice Installation and Specifications



Descriptions

The Siren is a new generation of professional high power acoustic siren with battery backup, flash light and sounds choice. This includes all performance and reliability for security alarm system. And it is can be compatible with any other intruder control panel.

Siren Features:

- 1) Dual tamper Protection from upper cover removal or removal of the siren housing from wall
- 2) Siren Output 115 db for single sounder, 120 db for twin sounder
- 3) 36 LEDs indication for easy Status confirmation. The Indications are as follow:
 - 24 LEDs Flash alternately in every 3 seconds means system in standby mode
 - 36 LEDs Flash quickly at the same time means siren trigger
 - When main power is cut, or tamper trigger, 36 LEDs Flash alternately and siren will sound simultaneous
 - standby mode LED lights indication ON or OFF optional with jumpers

- Siren Sounds: one tone, six tone(Optional)
- Large Print area for company logo

Attention: Factory default setting is standby mode LED ON

Specifications

Dimension: 260*170*65mm

Weight: 0.9KG

Backup Battery: 7.2V 500mA rechargeable or 12VDC-12A sealed lead battery (optional)

Siren Current: 220mA at 12 VDC

Flash Current: 180mA at 12 VDC

Timers: 1 minutes (Test), 3 min, and 6 min

Tamper Trigger: INT/EXT Selectable

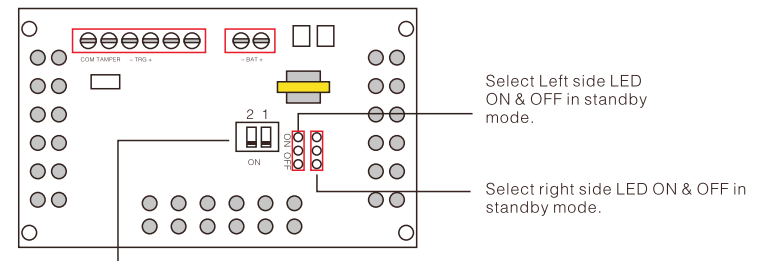
Operating Environment: -30° to 155° F (-35° to 70° C)

Case Protection Level: Water Splash Resistant, Plastic PC with UV Protection, Conformal coated circuit board

Lens: Blue, Red, Orange, White color are selectable

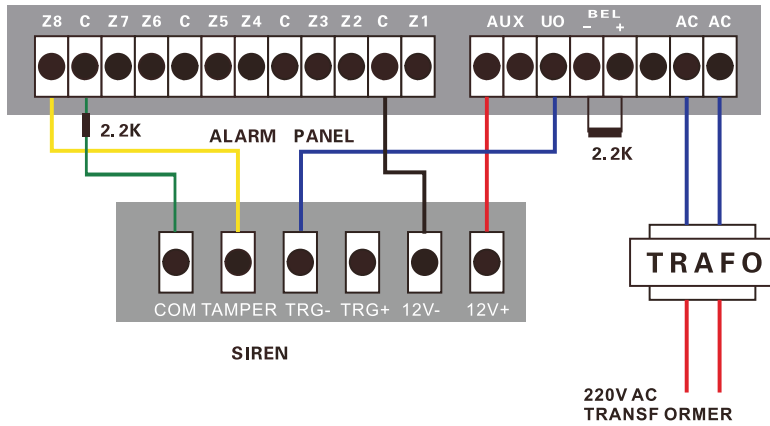
PCB Diagram / Jumper Setting

Note: The jumper setting should be done under the condition of power off.



Jumper 1: alarm tone select(1 tone or 6 tone); Jumper 2: Cut off power alarm ON or OFF

A model



Installation instructions

Attention: If tamper switch did not switch on, siren can not work properly

- 1) Choose the mounting location for the siren—the wall must be even and free of hole and excessive protrusions
- 2) Open the siren housing and mount it on the wall by 3 screws.
- 3) Connect to wires to the terminal, and plug the terminal to your drive board.
- 4) Power on the system and check that its function properly, and connect to backup battery
- 5) Close the housing. And make sure that tamper switch press down and set to work.
- 6) 2 groups LEDs from left and right will flash circulatory after 5 seconds which means that everything is going well.

B model

